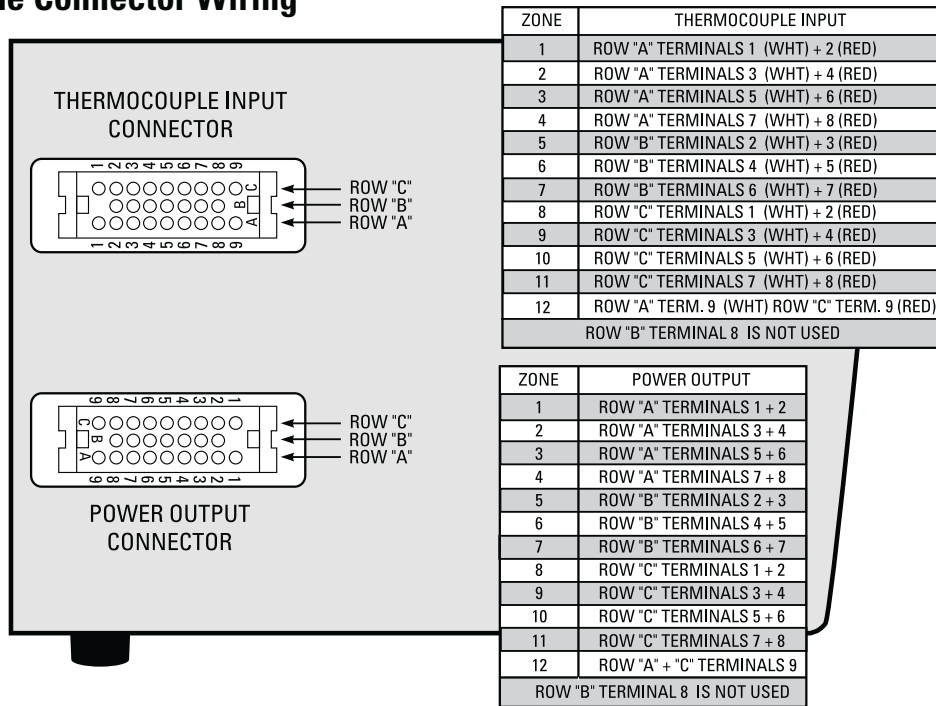


Smart Series® Mainframe Connector Wiring

Standard Mainframe Connector Wiring

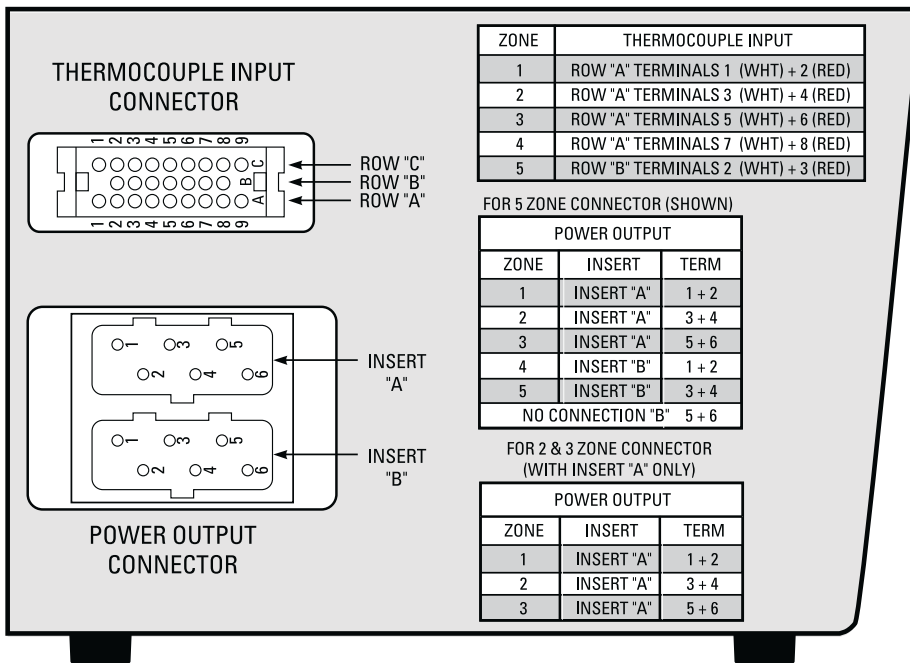
SIDE OF MAINFRAME



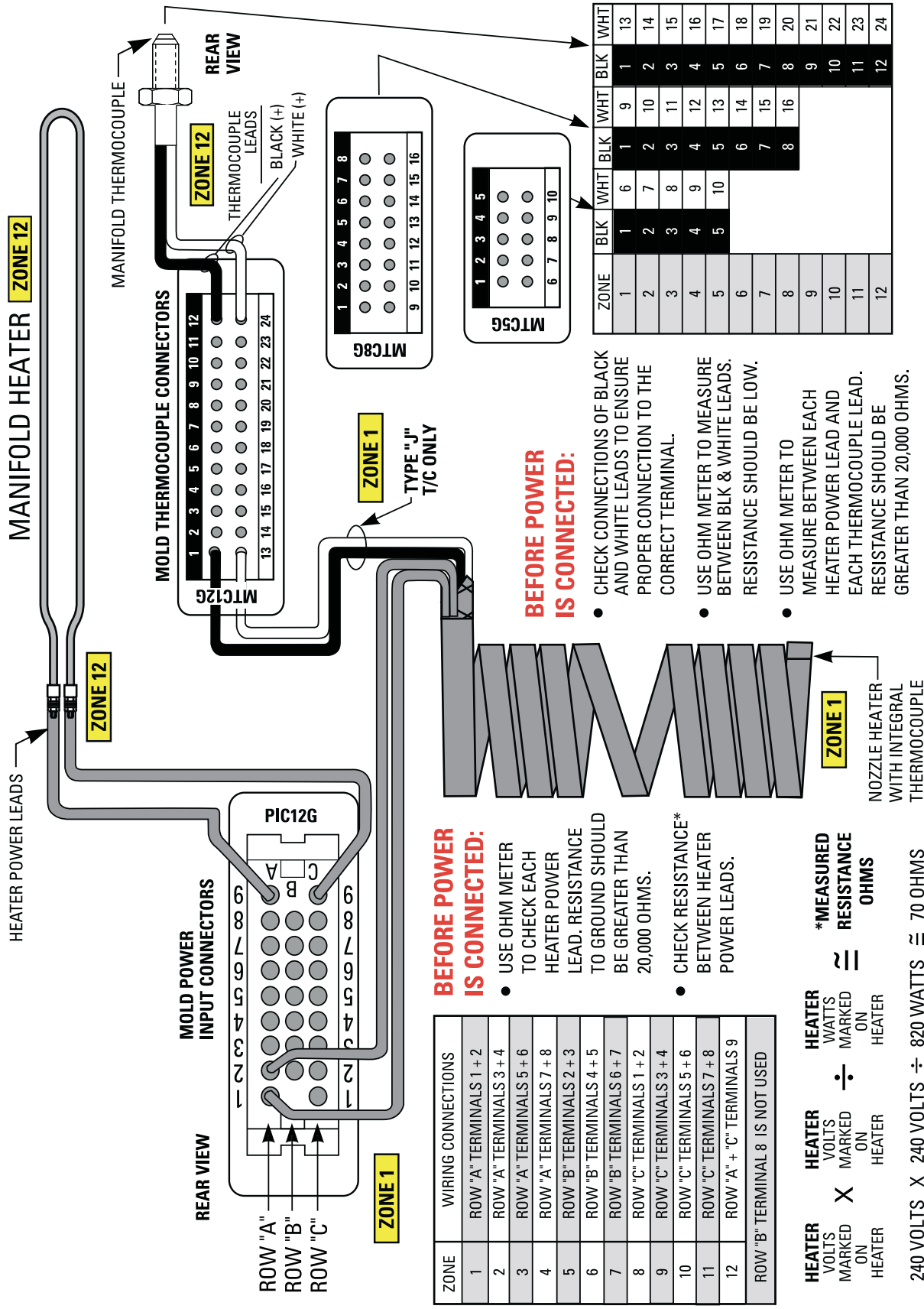
- NOTE:**
1. Mating cable connectors are wired the same as frame connectors shown.
 2. Wires in frames are color coded for reference when rewiring of frame connectors is necessary (see owner's manual).
 3. All grounds must be connected to ensure operator safety.

High Power Mainframe Connector Wiring

SIDE OF MAINFRAME

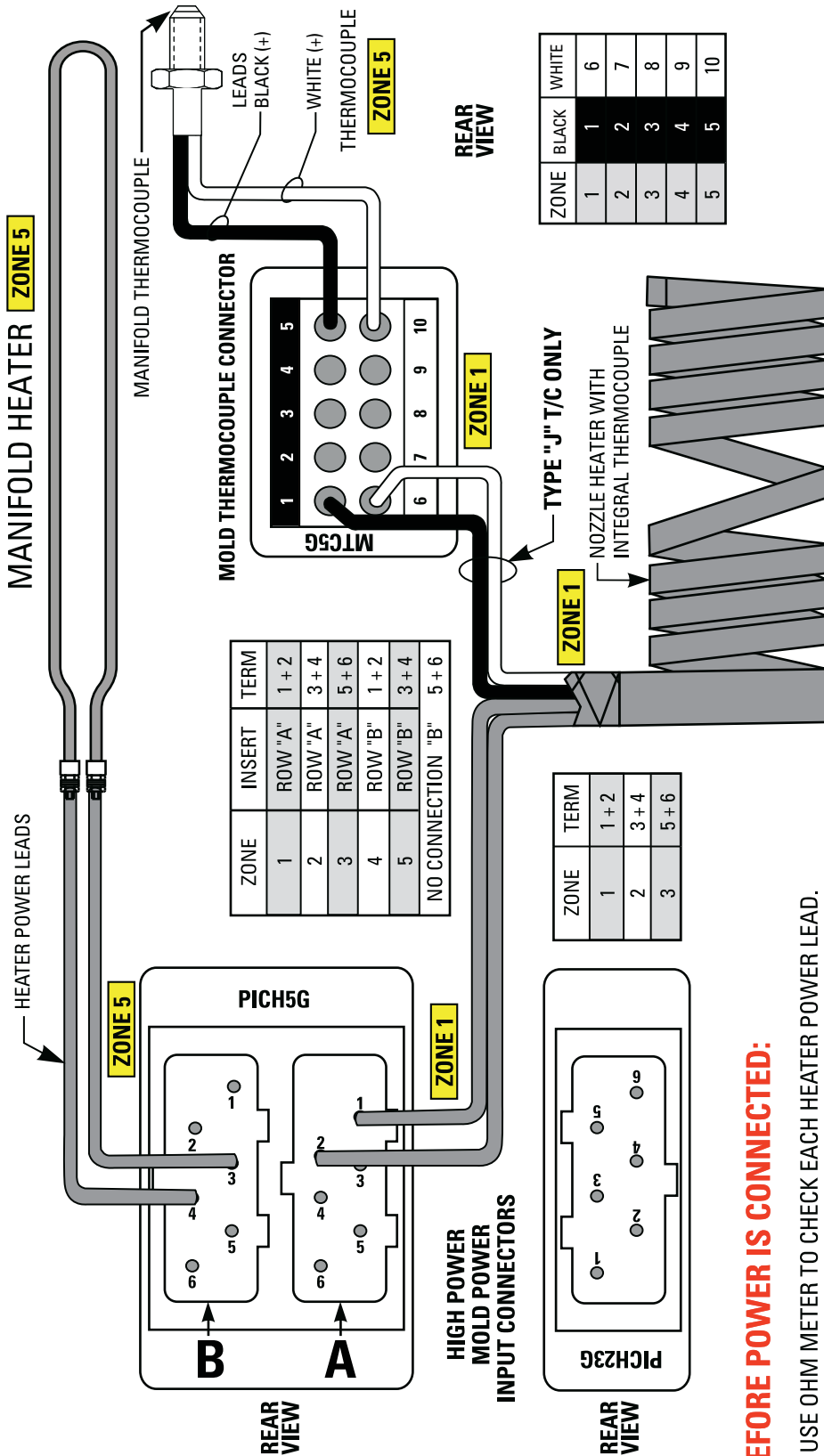


Wiring Diagram for DME Hot Runner Molding System with Smart Series® Mold Connectors



NOTES: All grounds must be connected to mold to ensure operator safety. All crimp connections can be eliminated by using terminal mounting box with terminal strip. See page 135.

Wiring Diagram for DME Hot Runner Molding System with High Power Smart Series® Mold Connectors



BEFORE POWER IS CONNECTED:

- CHECK CONNECTIONS OF BLACK AND WHITE LEADS TO ENSURE PROPER CONNECTION TO THE CORRECT TERMINAL.
- USE OHM METER TO MEASURE BETWEEN BLACK AND WHITE LEADS. RESISTANCE SHOULD BE LOW.
- USE OHM METER TO MEASURE BETWEEN EACH HEATER POWER LEAD AND EACH THERMOCOUPLE LEAD. RESISTANCE SHOULD BE GREATER THAN 20,000 OHMS.

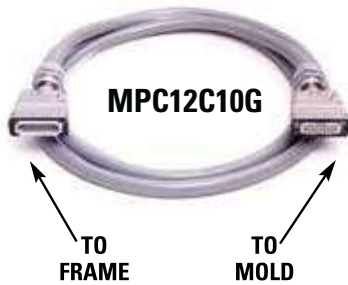
BEFORE POWER IS CONNECTED:

- USE OHM METER TO CHECK EACH HEATER POWER LEAD. RESISTANCE TO GROUND SHOULD BE GREATER THAN 20,000 OHMS.
- CHECK RESISTANCE* BETWEEN HEATER POWER LEADS.

HEATER VOLTS MARKED ON HEATER	HEATER VOLTS MARKED ON HEATER	HEATER WATTS MARKED ON HEATER	*MEASURED RESISTANCE OHMS
240 VOLTS X	240 VOLTS ÷	820 WATTS ÷	70 OHMS

NOTES: All grounds must be connected to mold to ensure operator safety. All crimp connections may be eliminated. Simply remove 6" leads from PIC connectors and wire directly.

Mold Power and Thermocouple Cables



Mold Power Cables are used to connect the Mainframe to the Power Input Connector on the mold. Available in lengths of 10, 20 or 30 feet. Integral retaining latches on both the frame and mold connectors provide secure cable connections. Connector configurations ensure proper insertion of cable. Cables are wired for 5, 8 or 12 zones (15 AMP) and 3 or 5 zones (30 AMP) for use with the appropriate Smart Series Mainframes and Mold Power Input Connectors.

Universal Mold Power Cable (15 AMP)

The MPC12C10G, 20G or 30G Mold Power Cable also serves as a universal cable for connecting any 15 AMP Smart Series Mainframe to any 15 AMP Mold Power Input Connector. The maximum number of zones will be determined by the connector in the mold.

Mold Power Cables (15 AMP Max)

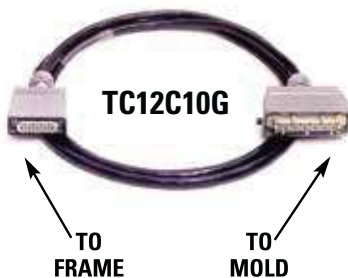
10 FOOT LONG	20 FOOT LONG	30 FOOT LONG	NUMBER OF ZONES (MAX.)	FOR CONNECTIONS	
ITEM NUMBER	ITEM NUMBER	ITEM NUMBER		FROM 15 AMP FRAME (S)	TO POWER INPUT CONNECTOR
MPC5C10G	MPC5C20G	MPC5C30G	5	5, 8, 12 ZONE	PIC5G
MPC8C10G	MPC8C20G	MPC8C30G	8	8, 12 ZONE	PIC8G
MPC12C10G	MPC12C20G	MPC12C30G	12	12 ZONE	PIC12G

Mold Power Cables (30 AMP Max)

10 FOOT LONG	20 FOOT LONG	NUMBER OF ZONES (MAX.)	FOR CONNECTIONS	
ITEM NUMBER	ITEM NUMBER		FROM 30 AMP FRAME (S)	TO POWER INPUT CONNECTOR
MPCH23C10G	MPCH23C20G	3	2-3 ZONE	PICH23G
MPCH5C10G	MPCH5C20G	5	5 ZONE	PICH5G

SPECIAL CABLES

Virtually any type of Conversion or Special Cable configuration can be provided by special order



Thermocouple Cables are used to connect the Mainframe to the Thermocouple Connector on the mold, and are available in lengths of 10, 20 or 30 feet. Integral retaining latches on both the frame and mold connectors provide secure cable connections. Connector configurations ensure proper insertion of cable. Cables available are wired for 5, 8 or 12 zones for use with the appropriate Smart Series Mainframes and Thermocouple Connectors.

Thermocouple Cables (for use with 15 or 30 AMP Mainframes)

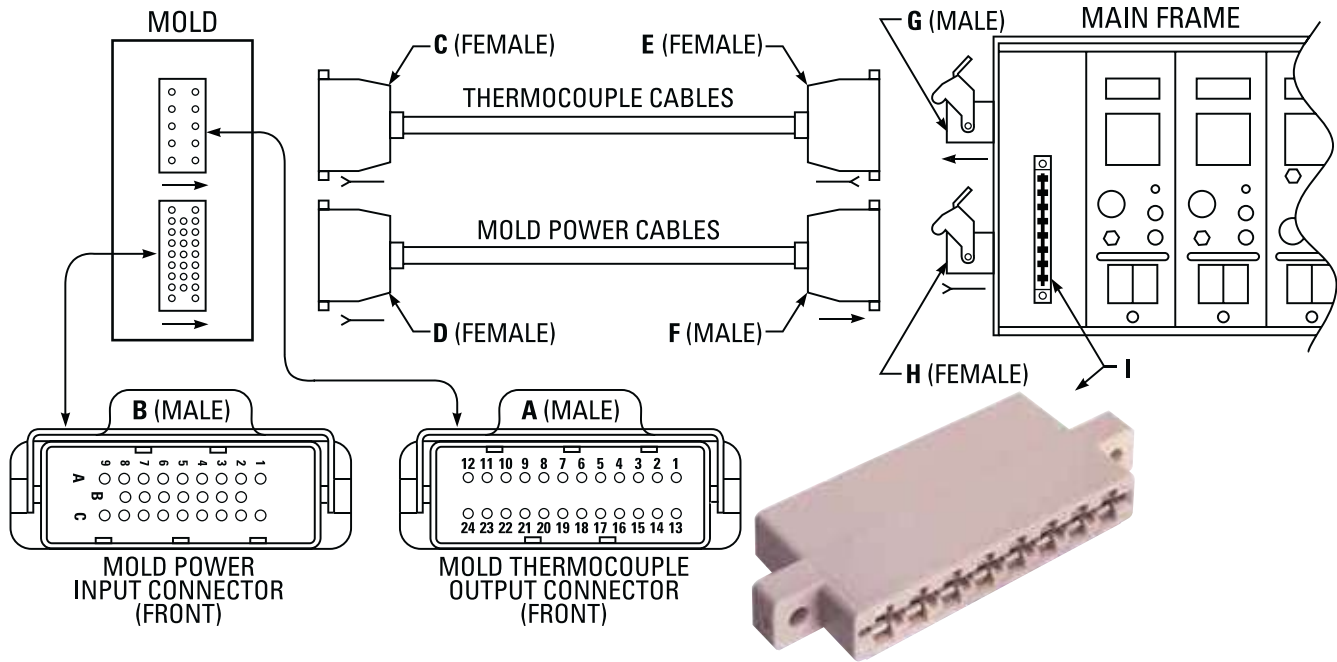
These Thermocouple Cables serve as cables for connecting dissimilar Mainframes and Thermocouple Connectors. For example, the TC8C10G could be used to connect a 12-zone frame to an 8-zone MTC8G connector. The maximum number of zones will be determined by the connector in the mold.

Thermocouple Cables

10 FOOT LONG	20 FOOT LONG	30 FOOT LONG	NUMBER OF ZONES (MAX.)	FOR CONNECTIONS	
ITEM NUMBER	ITEM NUMBER	ITEM NUMBER		FROM 15 AMP FRAME (S)	TO THERMOCOUPLE CONNECTOR
TC5C10G	TC5C20G	TC5C30G	5	5, 8, 12 ZONE	MTC5G
TC8C10G	TC8C20G	TC8C30G	8	8, 12 ZONE	MTC8G
TC12C10G	TC12C20G	TC12C30G	12	12 ZONE	MTC12G

* Used with all 30 AMP Mainframes.

Replacement Parts and Service Items for DME Smart Series® Temperature Control Systems



NOTE: For upper inside communications connectors, see previous page.

Connectors / Connector Kits (5-48 zone, 15 Amp; 2-5 zone, 30 Amp)

REFERENCE LETTER	DESCRIPTION	ITEM NUMBER
A	Mold Thermocouple Output Connector	see page 132
B	Mold Power Input Connector	see page 131
C	Mold End Kit for 5-Zone Thermocouple Cable (10, 15 or 30 AMP)	CKTF15G
	Mold End Kit for 8-Zone Thermocouple Cable (10, 15 or 30 AMP)	CKTF18G
	Mold End Kit for 12-Zone Thermocouple Cable (10, 15 or 30 AMP)	CKTF112G
D	Mold End Kit for all 10 or 15 AMP Power Cables	CKPF112BG
	Mold End Kit for all 2 or 3-Zone 30 AMP Power Cables	CKPF13CG
	Mold End Kit for all 5-Zone 30 AMP Power Cables	CKPF15CG
E	Frame End Kit for all Thermocouple Cables (10, 15 or 30 AMP)	CKTF112AG
F	Frame End Kit for all 10 or 15 AMP Power Cables	CKPM112BG
	Frame End Kit for 2 or 3-Zone 30 AMP Power Cables	CKPM13CG
	Frame End Kit for all 5-Zone 30 AMP Power Cables	CKPM15CG
G	Thermocouple Input Kit for all Mainframes (10, 15 or 30 AMP)	CKTM212AG
H	Power Output Kit for all 10 or 15 AMP Power Cables	CKPF212BG
	Power Output for all 2 or 3-Zone 30 AMP Power Cables	CKPF32CG
	Power Output Kit for all 5-Zone 30 AMP Power Cables	CKPF25CG
I	Edge Card Connector Kit for all Mainframe PC Boards (10, 15 or 30 AMP)	CKF312G